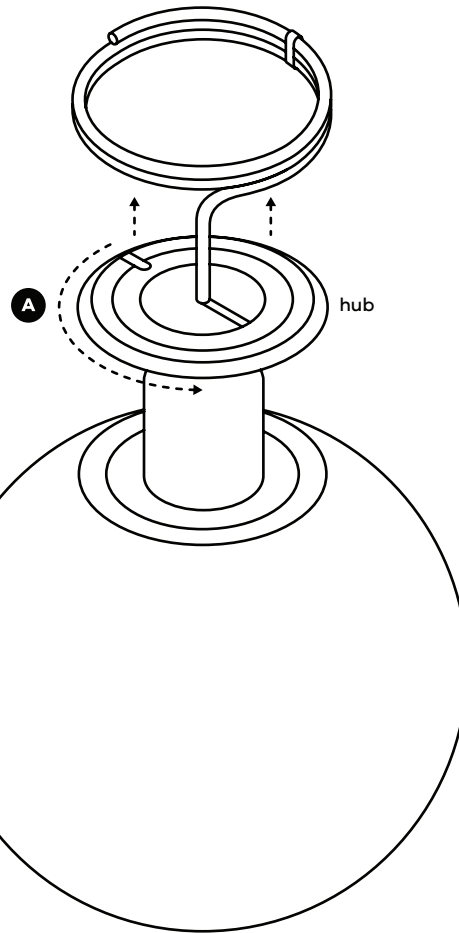


Polyluma

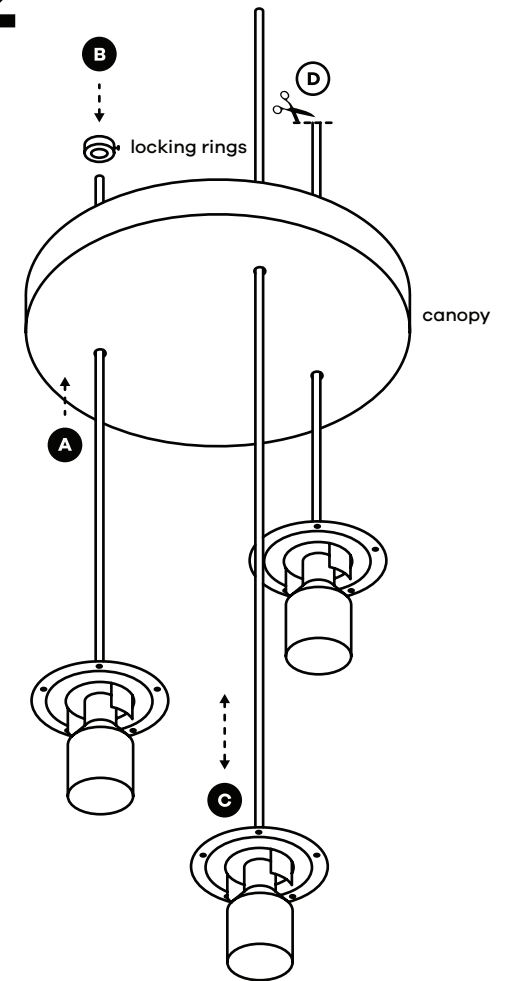
## Installation Guideline

# 01



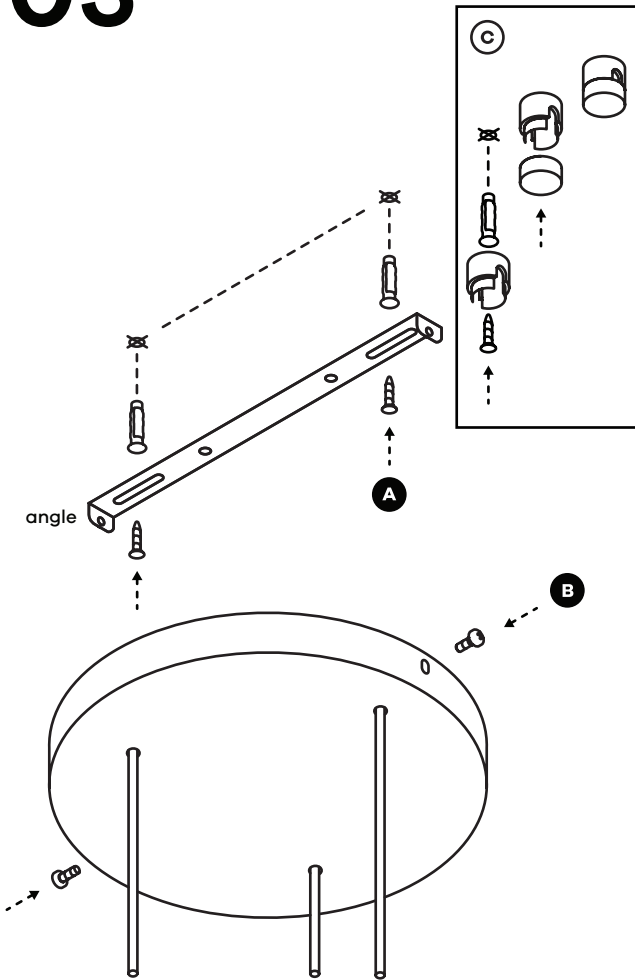
- A** Carefully take the lampshades out of the box with two hands. Separate the shades from the cables before assembly. For this, hold the shades with one hand and gently twist off the hub with the other hand. You can easily redock the shades later.

# 02



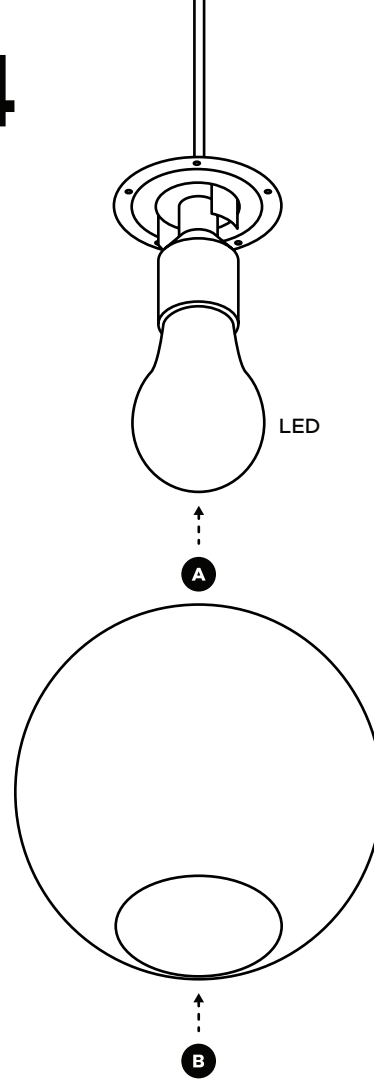
- A** Slide the cables through the holes in the canopy.
- B** Slide the locking rings over the cables.
- C** Decide at which height you want to hang each lampshade and then secure the locking rings.
- D** Optional: Shorten the cables if necessary.

# 03



- A** Screw the metal **angle** firmly to the ceiling - use dowels and screws suitable for your ceiling. Connect the cables to the power supply using the terminal block. Store the cables in the canopy.
- B** Slide the canopy over the metal angle and secure it with the side screws.
- C** Optional for open canopy: Screw the  **cable holder** to the ceiling and secure the cable with the cap.

# 04



- A** Choose **LED bulbs** that match your desired lighting mood and put them into the E27 sockets.
- B** Dock the lampshades in the desired order onto the magnetic hubs.

## General information



### Safety

Turn off the power before installation. In some countries, electrical installations must only be carried out by authorized electricians.



### Light Bulbs

Only use LED light bulbs up to 14 watts LED. Dimmable Smart Bulbs can also be used.



### Cleaning

The shades can be removed for dusting. They can be cleaned under lukewarm water – optionally with a mild detergent.